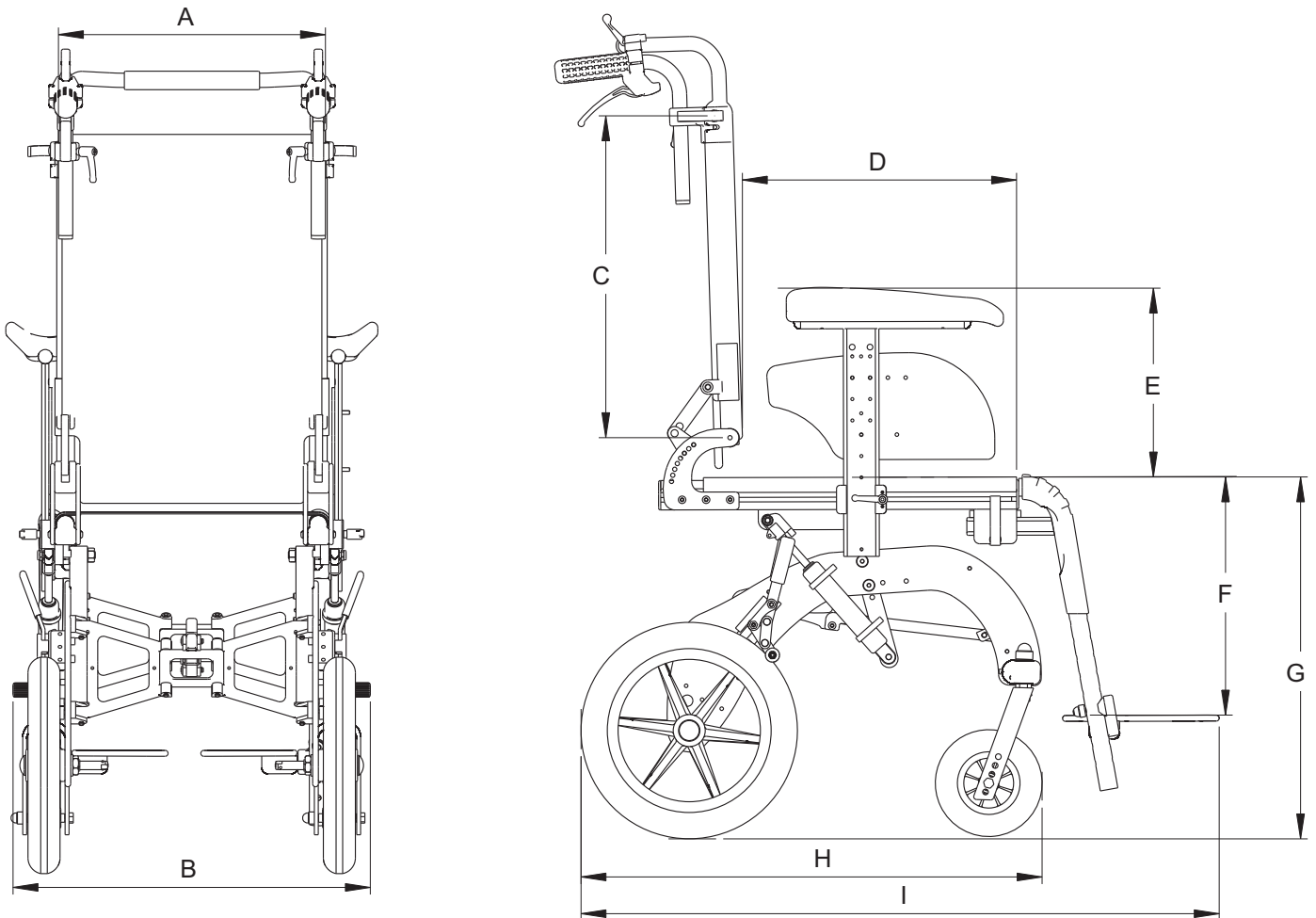


## GENERAL FEATURES

Maximum user weight **150 kg**  
 Empty weight **16 kg**  
 Maximum safe slope **10°**  
**Crash tested (ISO 7176-19 compliant)**

## TECHNICAL INFORMATION



A SIZE [cm]	B TOTAL WIDTH [cm]	C BACKREST HEIGHT [cm]	D SEAT DEAPTH [cm]	E ARMREST HEIGHT [cm]	F LEGREST LENGHT [cm]	G SEAT HEIGHT [cm]	H GLOBAL DEPTH. [cm]	I GLOBAL DEPTH INCLUDING LEGREST [cm]
36	52	40-50	36-54	21-30	21-41	50	65	90
38	54							
40	56							
42	58							
44	60							

These information may vary according to the specific customization of each wheelchair.